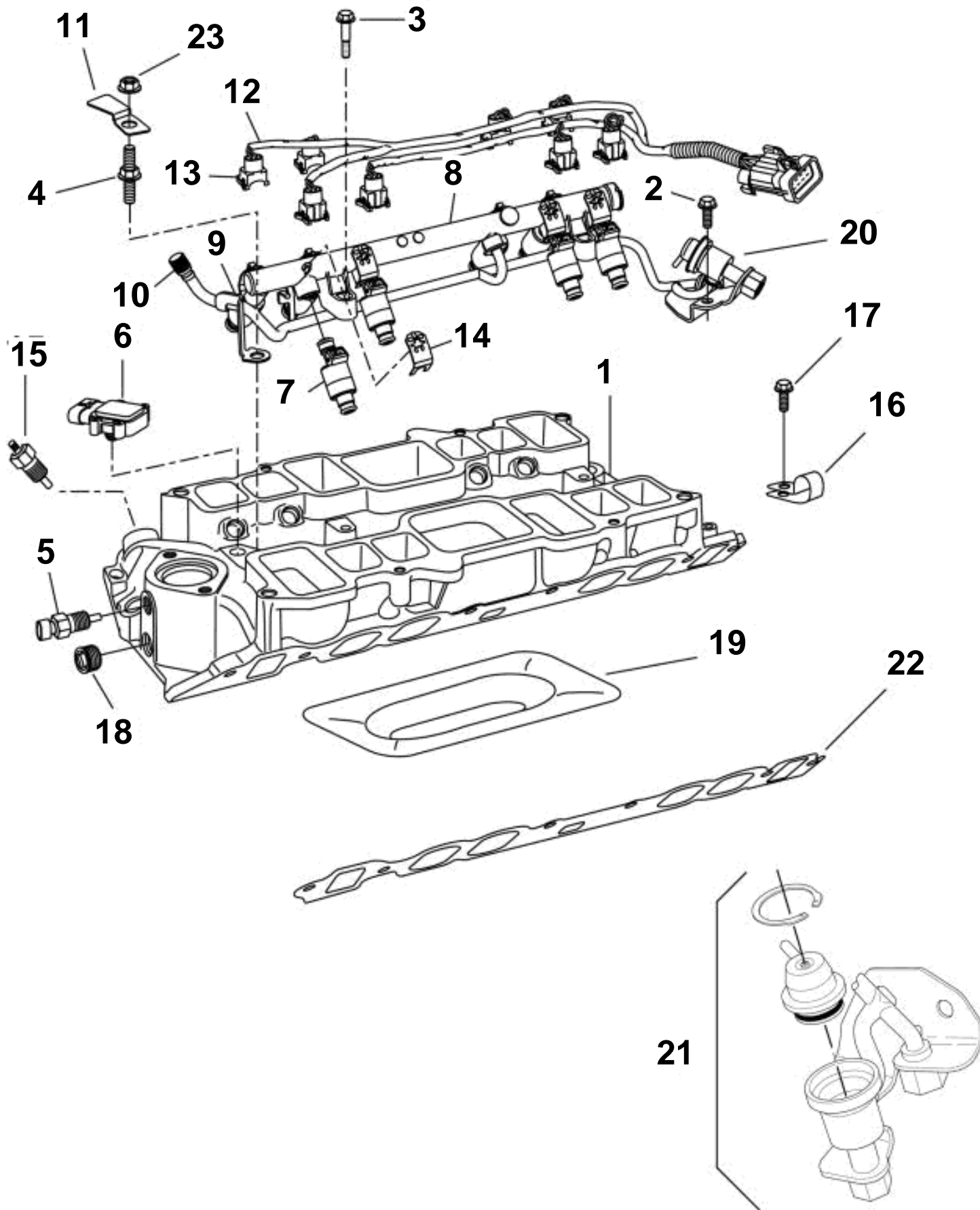


INTAKE MANIFOLD, LOWER, Gi



INTAKE MANIFOLD, LOWER, Gi

| REF | PART NO. | QTY | DESCRIPTION | NOTES |
|-----|----------|-----|---------------------------------------|--|
| 1 | 3857485 | 1 | Stud, Fuel rail, front | |
| 2 | 3852595 | 2 | Screw, Fuel rail, rear | |
| 3 | 3857472 | 2 | Bolt, Fuel rail, middle | |
| 4 | 3857684 | 1 | Manifold, Lower | |
| | 3855983 | 12 | Screw, Lower intake to block | Not shown |
| 5 | 3850397 | 1 | Ect sensor | |
| 6 | 3857479 | 1 | Sender | |
| 7 | 3857700 | 8 | Injector | |
| | 3855192 | X | · O-ring, Fuel injectors | Pack of 12 o-rings, 6 seals; not shown |
| 8 | 3857692 | 1 | Fuel pipe | |
| 9 | 3857698 | 1 | · Valve | |
| 10 | 3853616 | 1 | · · Protective cap | |
| 11 | 3857682 | 1 | Retainer, MAP sensor | |
| 12 | 3858053 | 1 | Cable kit, Fuel injectors | |
| 13 | 3857690 | X | · Connector, Fuel injectors | |
| 14 | 3858052 | 1 | Clip, Fuel injectors | Pack of 8 |
| 15 | 3852029 | 1 | Sender, Water temperature | |
| | 872068 | 1 | Sender, Water temperature | Dual station; not shown |
| 16 | 3852434 | 2 | Clamp, Engine cable to intake | |
| 17 | 3853419 | 1 | Screw, Engine cable clamp to intake | |
| 18 | 3850999 | 1 | Plug, Intake by-pass hole | |
| 19 | 3856027 | 1 | Shield, Oil splash | |
| 20 | 3857703 | 1 | Fuel press regulator, Fuel pressure | |
| 21 | 3857699 | X | · Gasket kit, Fuel pressure regulator | |
| 22 | 3857680 | 1 | Gasket kit, Lower intake to block | |
| 23 | 3857683 | 1 | Nut, MAP sensor retainer | |